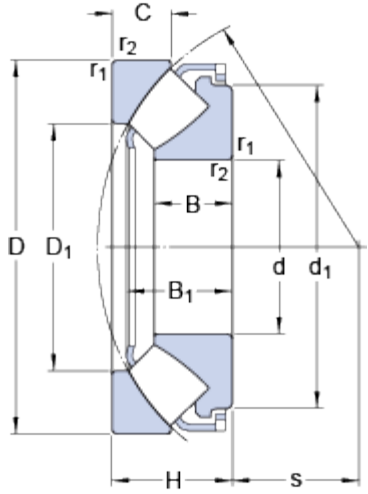


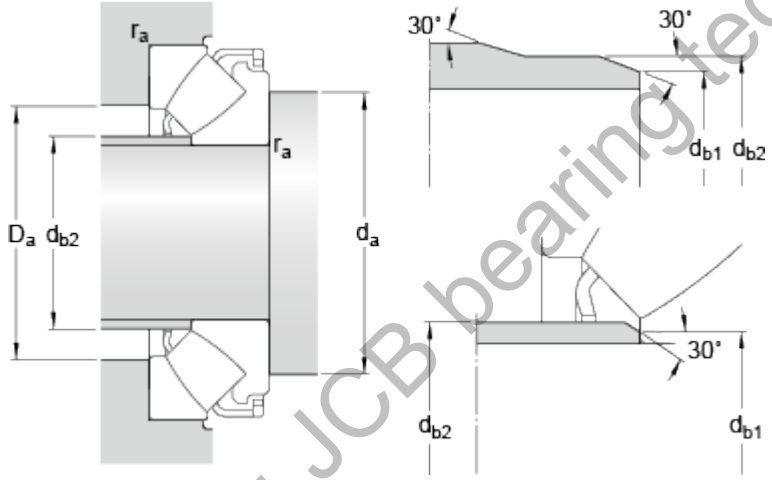
▶
29432EX

Dimensions



d	160	mm
D	320	mm
H	95	mm
d ₁	≈ 279	mm
D ₁	≈ 224	mm
B	60.5	mm
B ₁	84.3	mm
C	45.5	mm
s	99	mm
r _{1,2}	min. 5	mm

Abutment dimensions



d _a	min. 235	mm
d _{b1}	max. 175	mm
d _{b2}	max. 189	mm
D _a	max. 270	mm
r _a	max. 4	mm

Calculation data

Basic dynamic load rating	C	2080	kN
Basic static load rating	C ₀	5600	kN
Fatigue load limit	P _u	570	kN
Reference speed		1100	r/min
Limiting speed		2000	r/min
Minimum axial load factor	A	3	

Mass

Mass bearing		32	kg
--------------	--	----	----